


# ...M.I's NORTH of Church.

Q R S T U

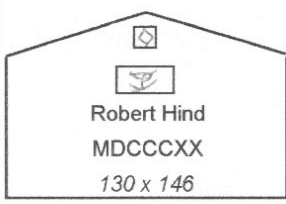
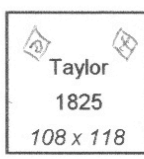
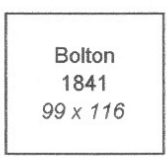
1 Harrison 1806 (see U4)  105 x 213	1 Bulman 1808 95 X 92  2 Halhead 1805 96 x 186  3 Gandy 1833 92 x 183  4 Gaskarth 1838 97 x 196  5 Wilkinson 1837 76 x 86	1 Taylor 1827 Willan 101 x 193  2 Dickinson 1793 99 x 187  3 Pennington 1849 Fawcett 99 x 191  4 Sinkinson 1828 99 x 196	1 Leonard 1799  2 Grisdale 1822 97 x 196  3 Penny Sharp Simpson 1811 97 x 188  4 Wilson 1852 101 x 193	1 Broadbent 1792 Bellingham 85 x 180  2 Hunter 1804 Dickinson Knipe 87 x 180  3 Savage 1814 93 x 184  4 Harrison 1853 (see Q1) 104 x 139  5 Airey 1823 87 x 99
--	---	--	--	---

Q R S T U

# SOUTH of Church

1 Nicholson 1741; Elleray 1782 95 x 135
2 Guy 1790; Huddleston 1838; Burras 1838 75 x 162
3 Hodgson 1810 95 x 135
4 Braithwaite 1837
5 Fell AD MDCCC111
6 Nelson 1843
7 T.A; I.A; J.A; E.A; 1811; 1842
8 Beezon 1775
9 Atkinson 1808
10 Branthwaite; Jones 1830; 1844
11 Wilkinson 1791
12 Atkinson; Wilson 1783
13 Webster; Longmire 1837 ; 1851

# EAST of Church

 Robert Hind MDCCCXX 130 x 146	 Taylor 1825 108 x 118	 Bolton 1841 99 x 116
--	--	---

# WEST of Church

